

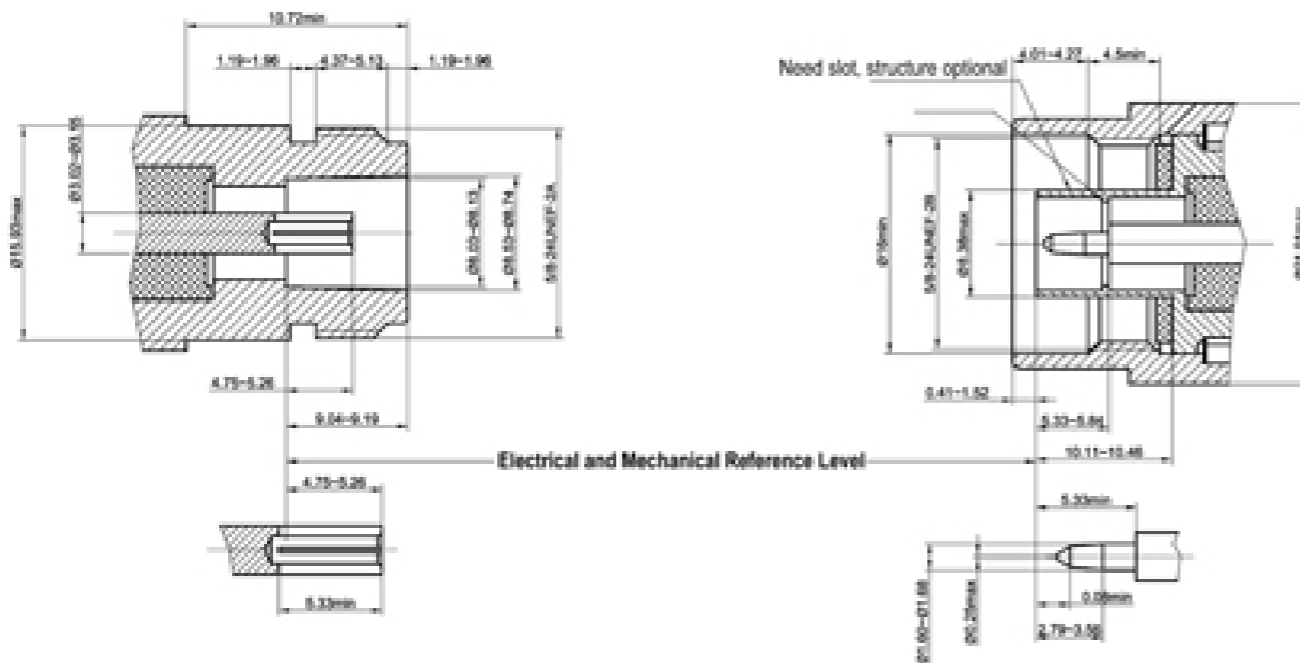
N

N

N type RF connector

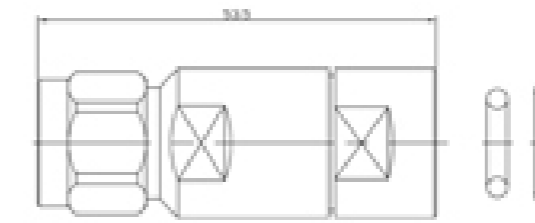
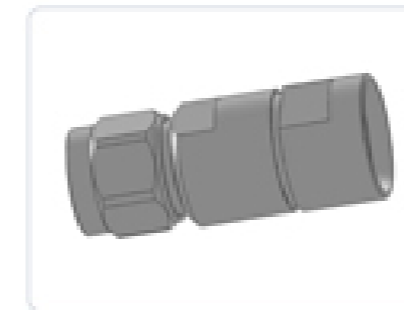
N type RF connector is a type of low and medium power connector with threaded coupling mechanism and has the characteristics of good shock resistance, strong reliability and high mechanical and electrical performance. It has been widely used to connect RF cables in wireless radio equipments and facilities.

Interface Dimension

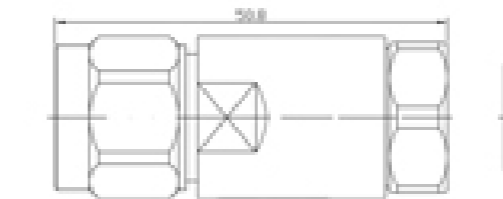
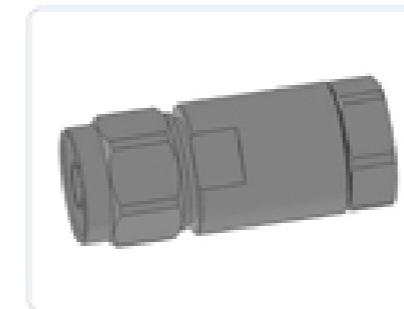


Primary Technical Characteristics

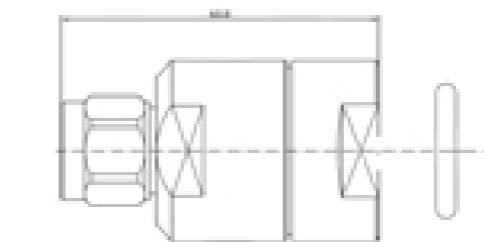
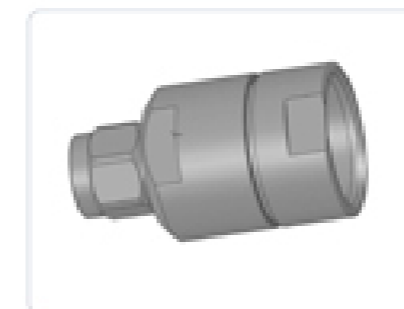
Electrical Performance		Material and Mechanical Performance			
Characteristic Impedance	50 Ω	Center Contact	Pin	Brass	Gold Plating
Frequency Range	DC ~ 18GHz		Socket	Beryllium Copper	Gold Plating
Rated Voltage	500V rms	Body and Other Metal Parts		Brass/Stainless Steel	Gold Plating Passivation
Dielectric Withstanding Voltage	2000V rms	Elastic Part		Beryllium Copper	Gold Plating Passivation
VSWR	$< 1.05 + 0.008f(\text{GHz})$	Insulator		PTFE	
Contact Resistance	$< 1\text{m} \Omega$	Seal Ring		Silicon Rubber	
	$< 0.25\text{m} \Omega$	Temperature Range		-65°C ~ +165°C	
Insulation Resistance	$> 5000\text{M} \Omega$	Durability		500times	
Insertion Loss	$< 0.05/f(\text{GHz}) \text{ dB}$				



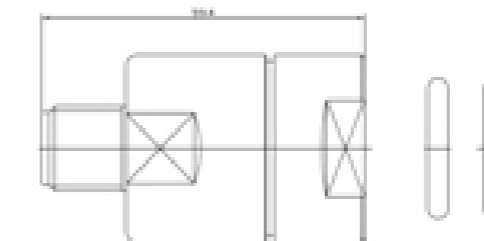
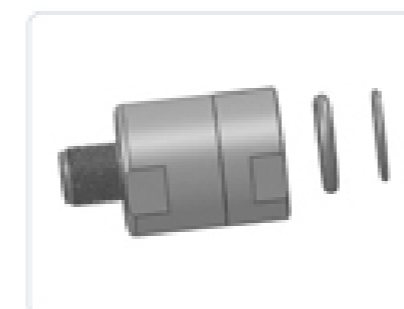
Part Number	Cable Type	Notes
N-209	1/2" L	



Part Number	Cable Type	Notes
N-053	1/2" S	

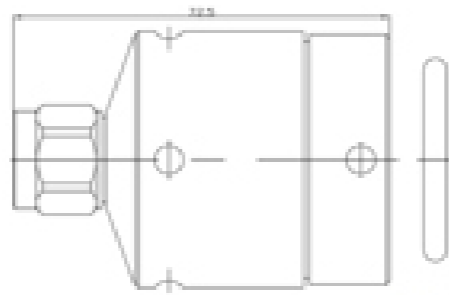
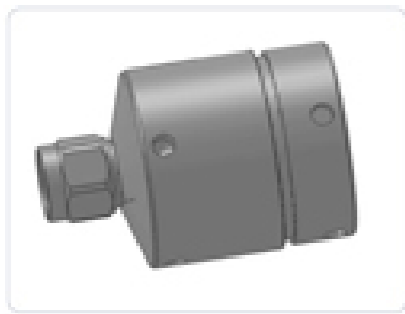


Part Number	Cable Type	Notes
N-079	7/8" L	

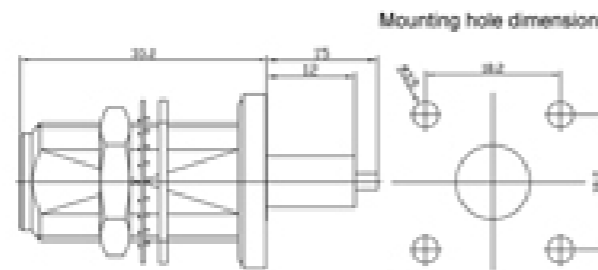
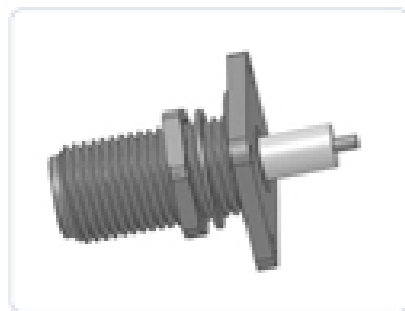


Part Number	Cable Type	Notes
N-166	7/8" L	

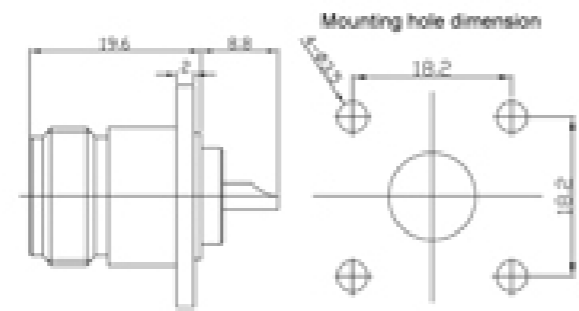
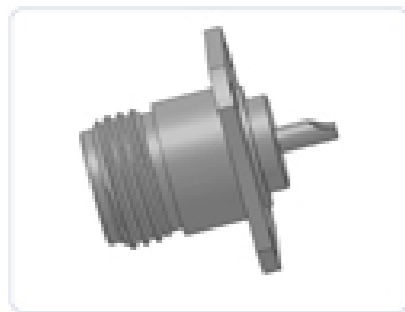
N



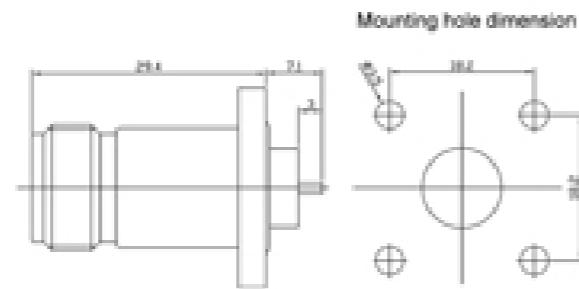
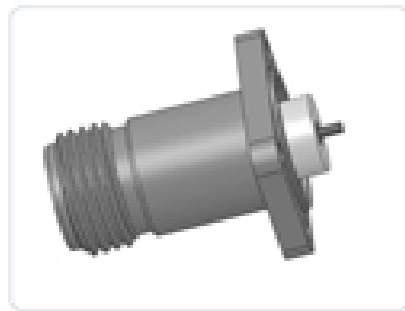
Part Number	Cable Type	Notes
N-163	1 1/4" L	



Part Number	Cable Type	Notes
N-390		

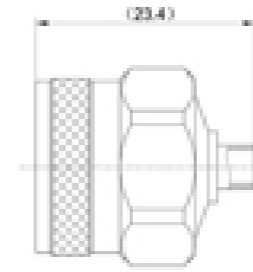
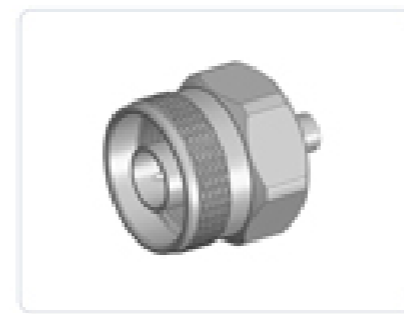


Part Number	Cable Type	Notes
N-412		

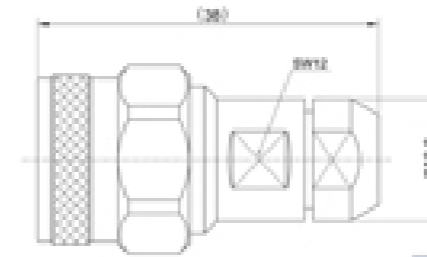
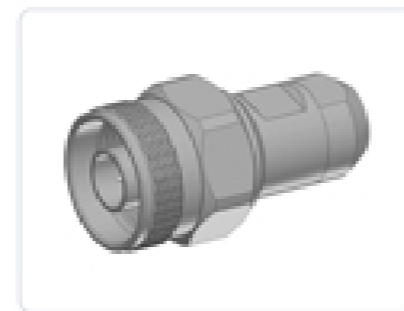


Part Number	Cable Type	Notes
N-450		

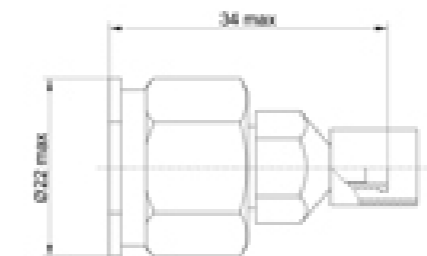
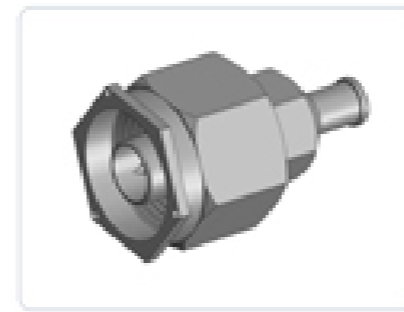
N



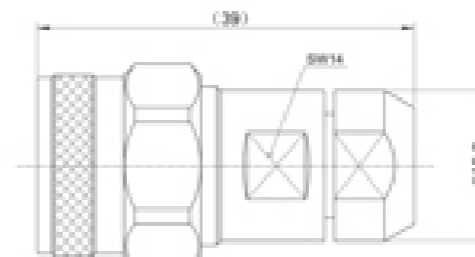
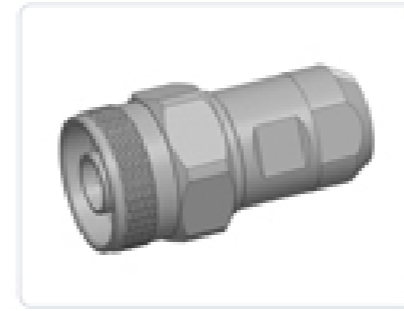
Part Number	Cable Type	Notes
N-J201	670-086 SFT-50-2-51	
N-J302	670-141 SFT-50-3-51	



Part Number	Cable Type	Notes
N-J304	SFCJ-50-3-51	
N-J401	SemFlex HP190S	
N-J408	SFCJ-50-4-51	

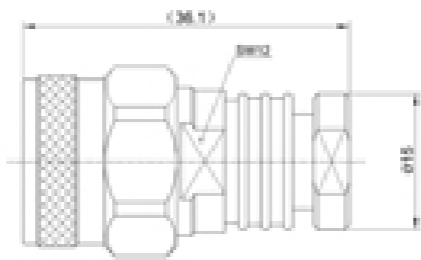
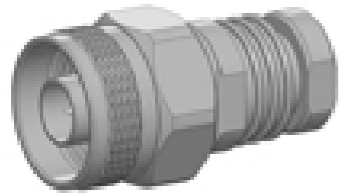


Part Number	Cable Type	Notes
N-409	SFCF46-50-4-51	

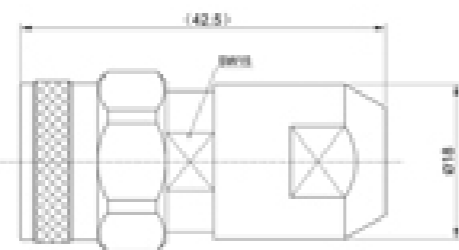
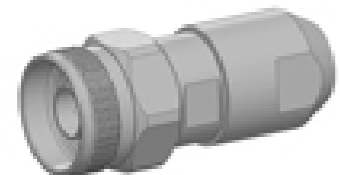


Part Number	Cable Type	Notes
N-J502	SFCJ-50-5-52	
N-J504	GNB470	

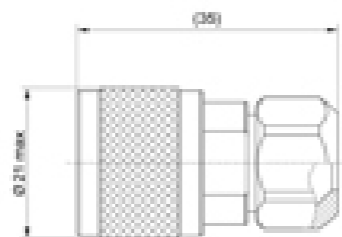
N



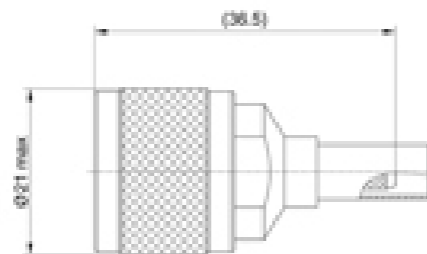
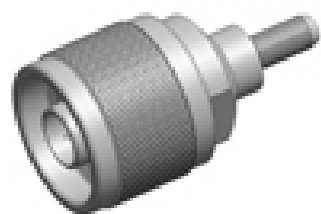
Part Number	Cable Type	Notes
N-J506	Maxflex 250	



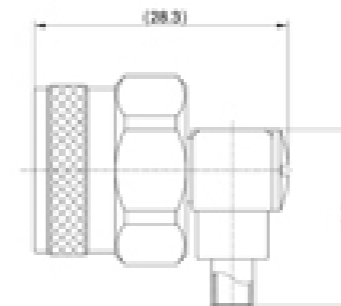
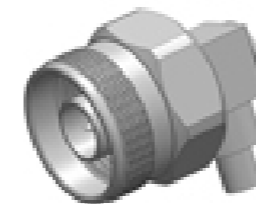
Part Number	Cable Type	Notes
N-J601	Semflex LA290	
N-J602	Semflex HP305S	
N-J606	SFCJ-50-6-51	
N-J702	SFCJ-50-7-52	



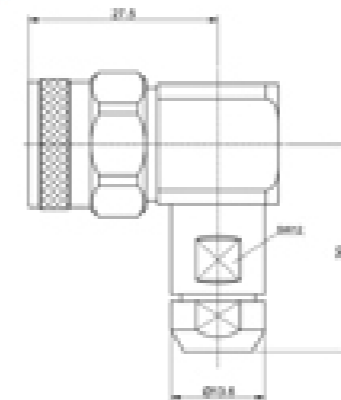
Part Number	Cable Type	Notes
N-J202	SFF-50-2-51	
N-J303	SFF-50-3-51	
N-J406	GNS 520	



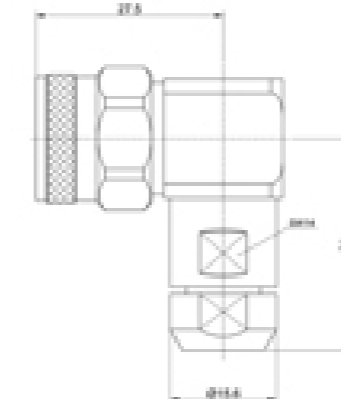
Part Number	Cable Type	Notes
N-J202Y	SFF-50-2-51	Crimp
N-J303Y	SFF-50-3-51	Crimp



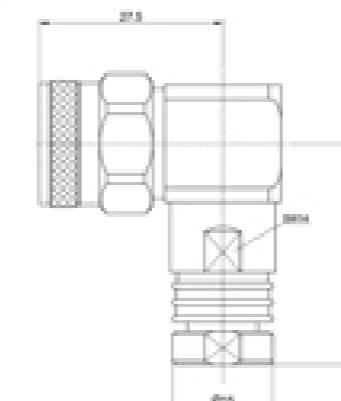
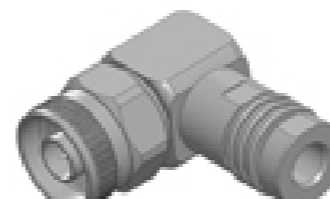
Part Number	Cable Type	Notes
N-JW201	670-086 SFT-50-2-51	
N-JW302	670-141 SFT-50-3-51	



Part Number	Cable Type	Notes
N-JW304	SFCJ-50-3-51	
N-JW401	Semflex HP190S	
N-JW406	SFCJ-50-4-51	

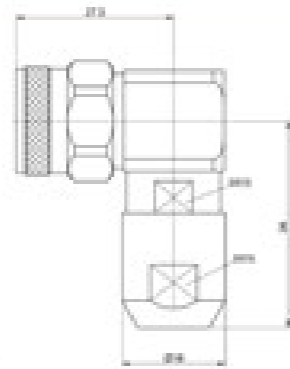


Part Number	Cable Type	Notes
N-JW502	SFCJ-50-5-52	
N-JW504	GNS 470	

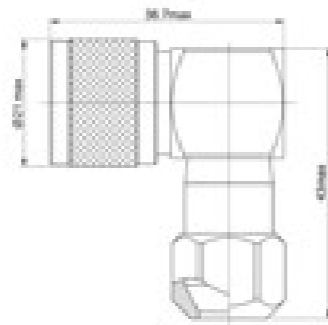


Part Number	Cable Type	Notes
N-JW506	Maxflex 250	

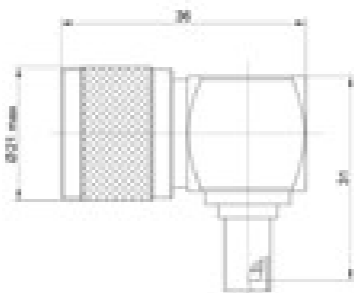
N



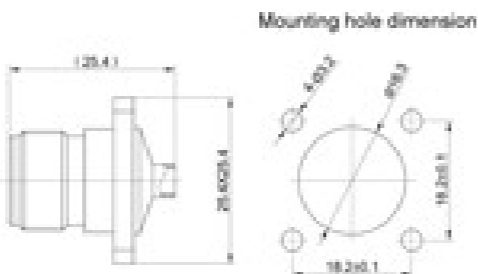
Part Number	Cable Type	Notes
N-JW601	Semflex LA290	
N-JW602	Semflex HP305S	
N-JW606	SFCJ-50-6-51	
N-JW702	SFCJ-50-7-52	



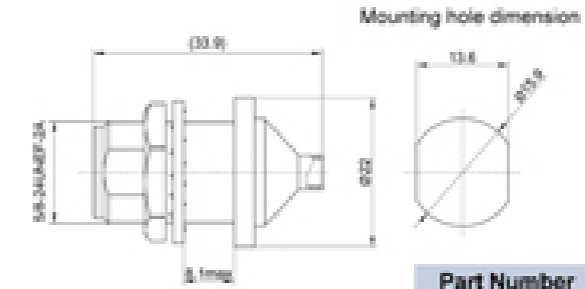
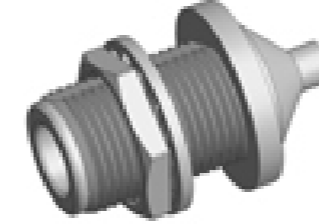
Part Number	Cable Type	Notes
N-JW202	SFF-50-2-51	
N-JW303	SFF-50-3-51	
N-JW406	GNS 520	



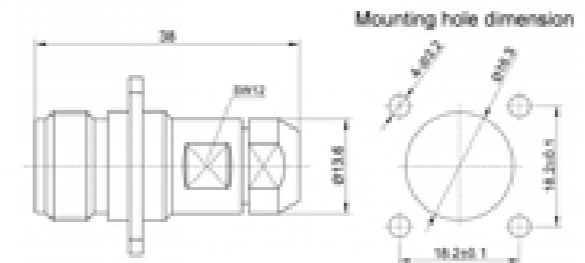
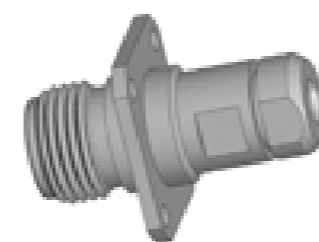
Part Number	Cable Type	Notes
N-JW202	SFF-50-2-51	Crimp
N-JW303	SFF-50-3-51	Crimp



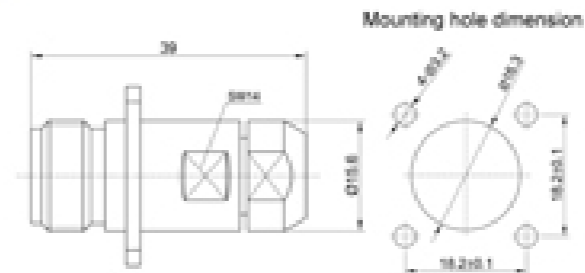
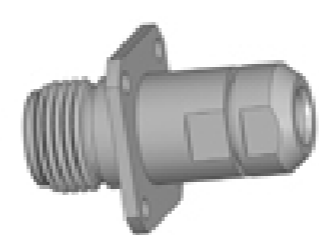
Part Number	Part Number	Notes
N-KF201	SFT-50-2-51	
N-KF302	SFT-50-3-51	



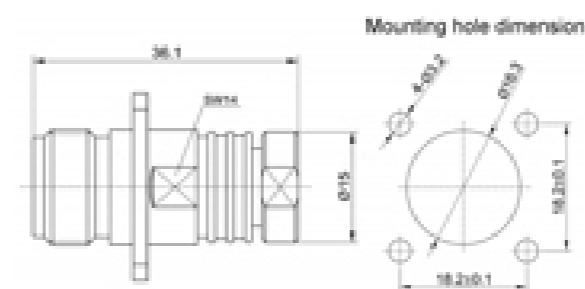
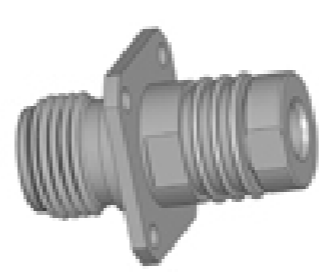
Part Number	Cable Type	Notes
N-KY201	SFT-50-2-51	
N-KY302	SFT-50-3-51	



Part Number	Cable Type	Notes
N-KF304	SFCJ-50-3-51	
N-KF401	Semflex HP190S	
N-KF406	SFCJ-50-4-51	

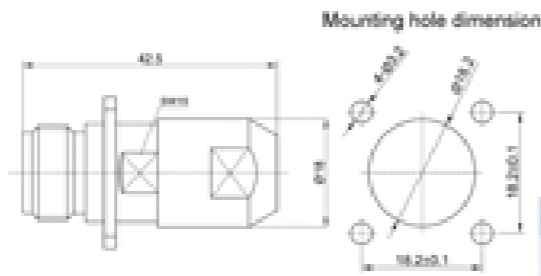
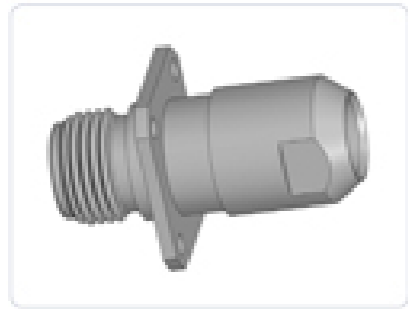


Part Number	Cable Type	Notes
N-KF502	SFCJ-50-5-52	
N-KF504	GNS 470	

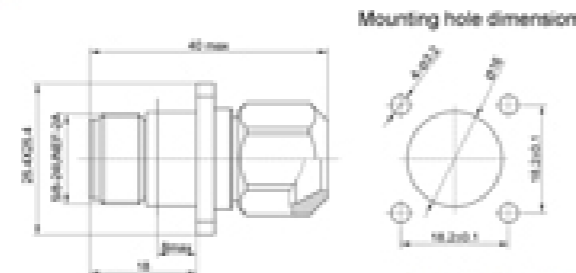
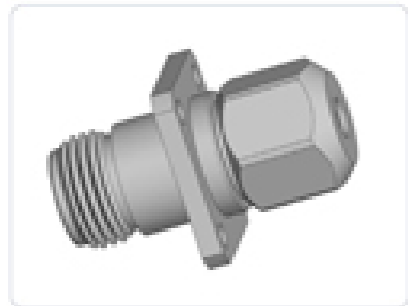


Part Number	Cable Type	Notes
N-KF506	Maxflex 250	

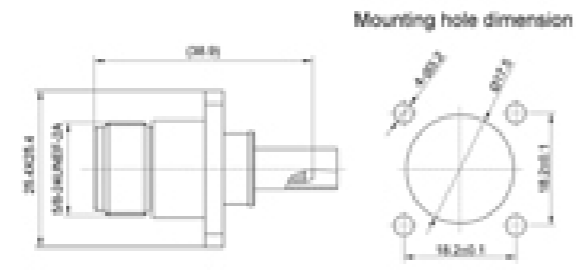
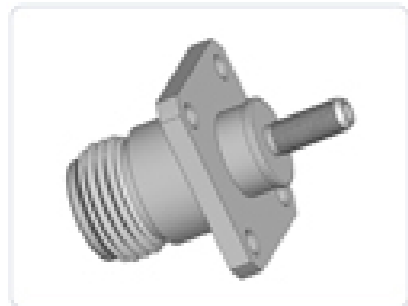
N



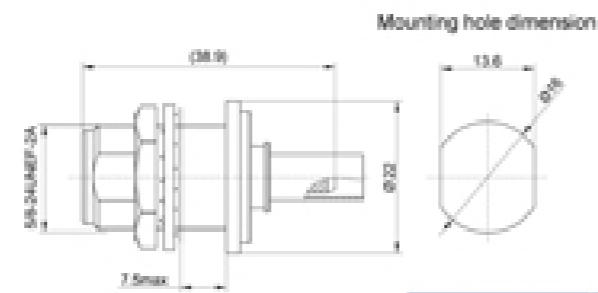
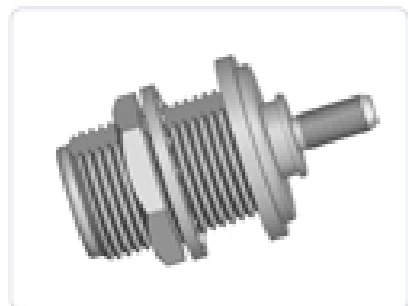
Part Number	Cable Type	Notes
N-KF601	Semflex LA290	
N-KF602	Semflex HP305S	
N-KF606	SFCJ-50-6-51	
N-KF702	SFCJ-50-7-52	



Part Number	Cable Type	Notes
N-KF202	SFF-50-2-51	
N-KF303	SFF-50-3-51	
N-KF406	GNS 520	

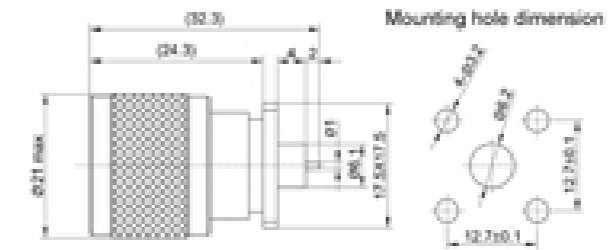
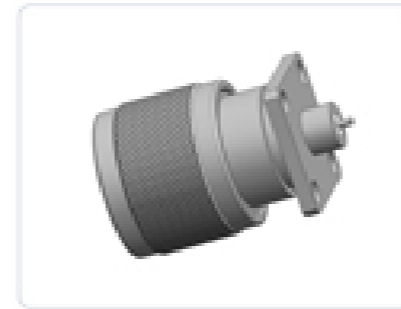


Part Number	Cable Type	Notes
N-KF202Y	SFF-50-2-51	Crimp
N-KF303Y	SFF-50-3-51	Crimp

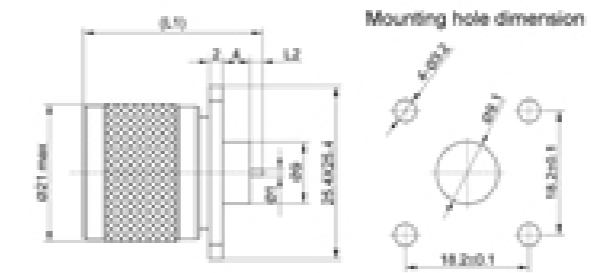
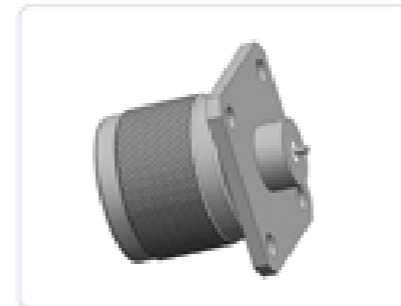


Part Number	Cable Type	Notes
N-KY202Y	SFF-50-2-51	Crimp
N-KY303Y	SFF-50-3-51	Crimp

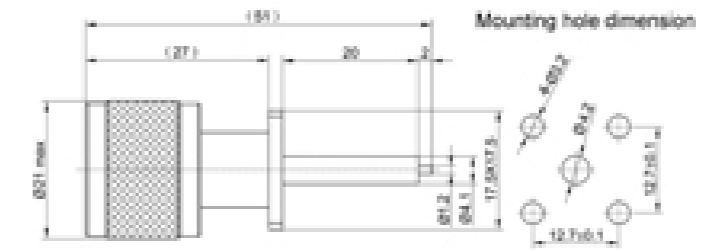
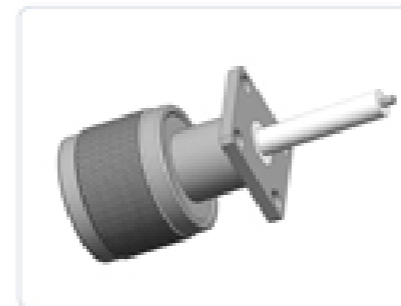
N



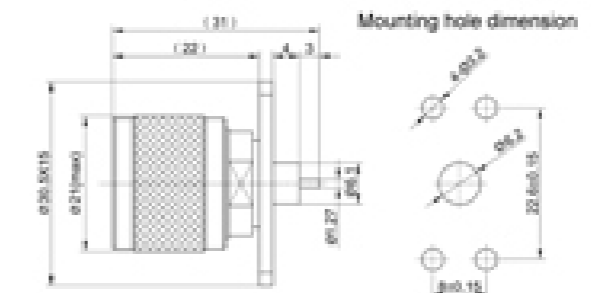
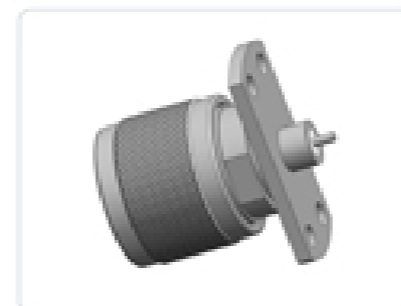
Part Number	Cable Type	Notes
N-JFD		



Part Number	L ₁	L ₂
N-JFD1	26.2	1.8
N-JFD2	29.9	5.5

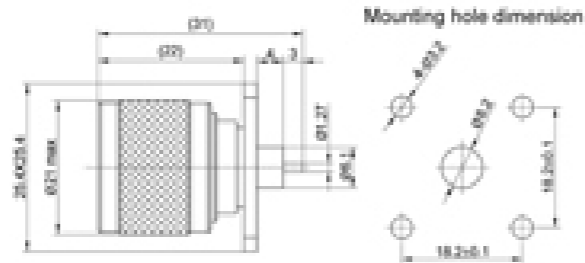
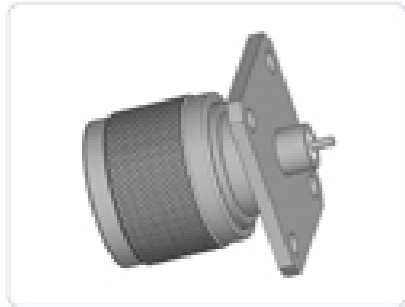


Part Number	Cable Type	Notes
N-JFD3		

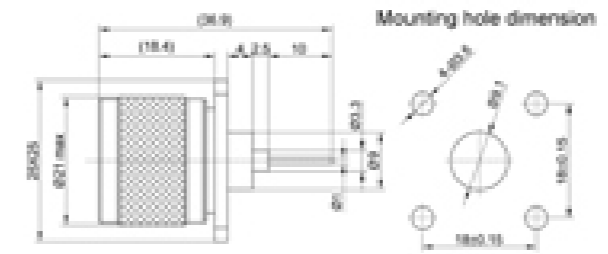
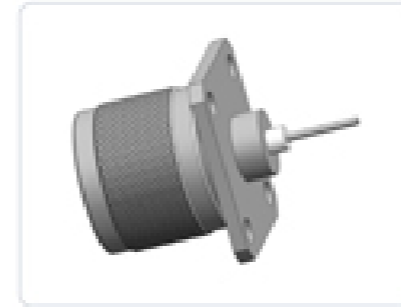


Part Number	Cable Type	Notes
N-JFD4		

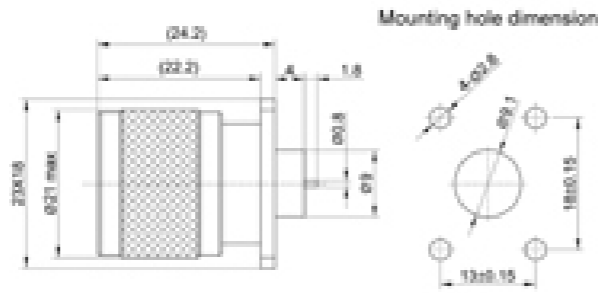
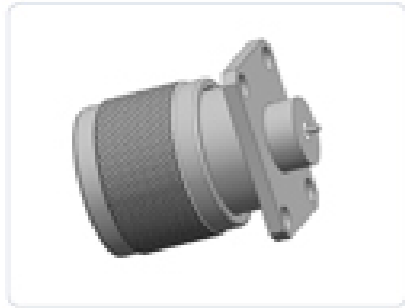
N



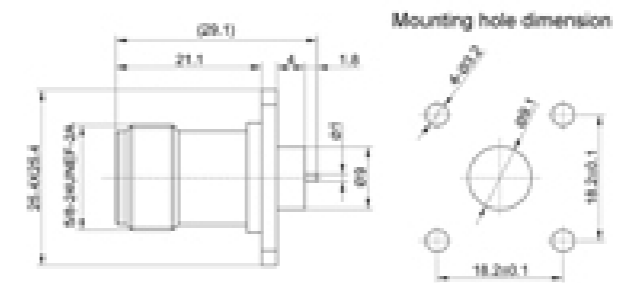
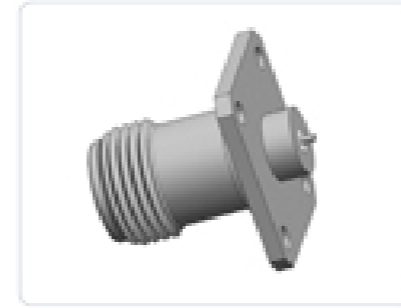
Part Number	Cable Type	Notes
N-JFD5		



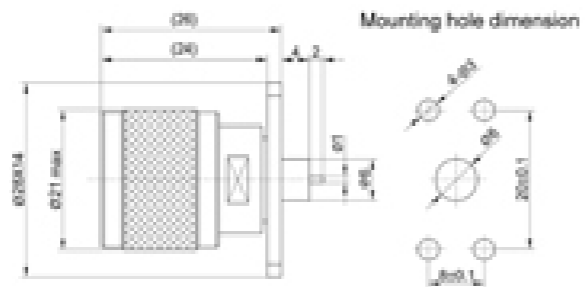
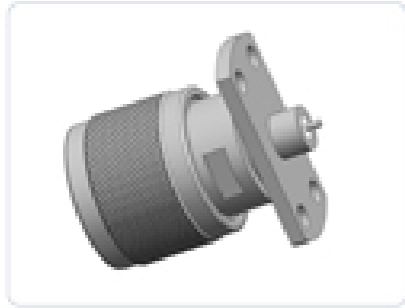
Part Number	Cable Type	Notes
N-JFD-C		



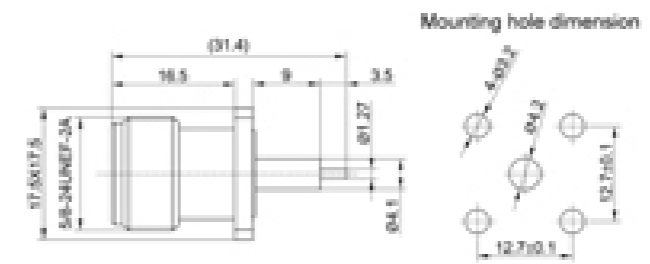
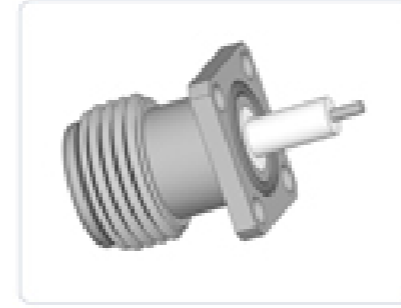
Part Number	Cable Type	Notes
N-JFD6		



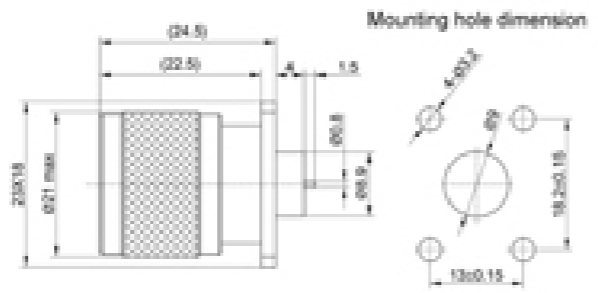
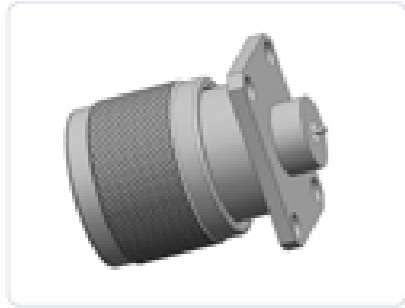
Part Number	Cable Type	Notes
N-KFD		



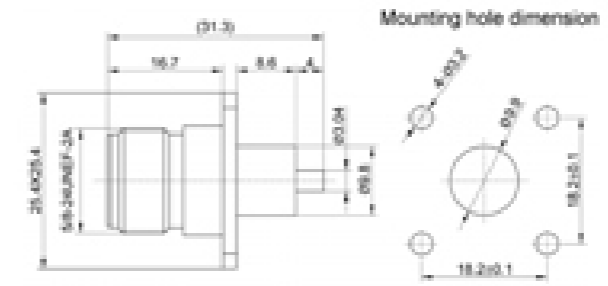
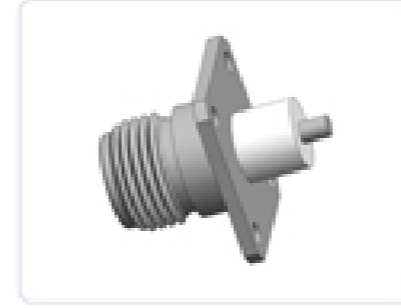
Part Number	Cable Type	Notes
N-JFD7		



Part Number	Cable Type	Notes
N-KFD1		



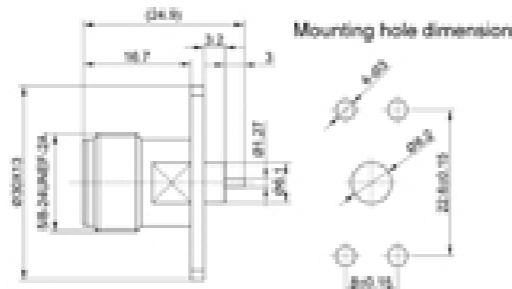
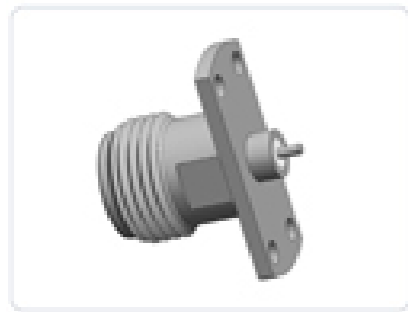
Part Number	Cable Type	Notes
N-JFD8		



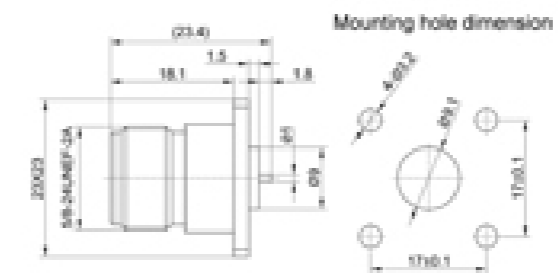
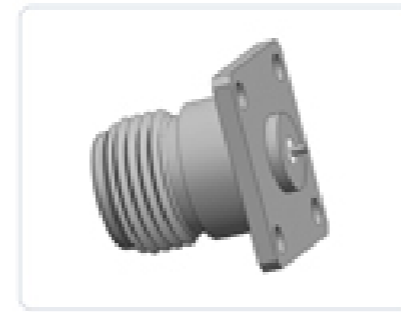
Part Number	Cable Type	Notes
N-KFD2		

N

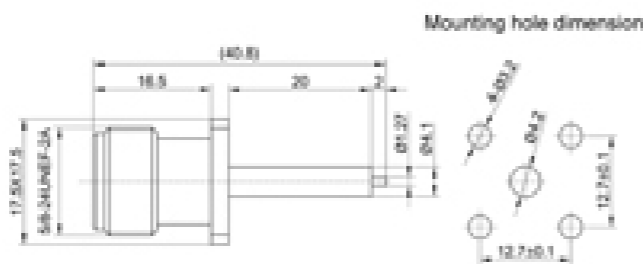
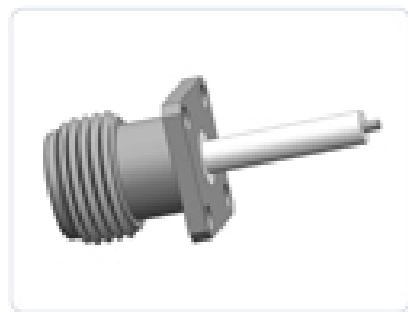
N



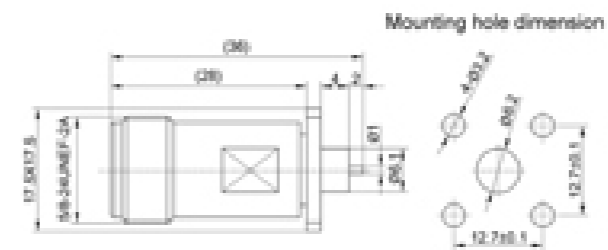
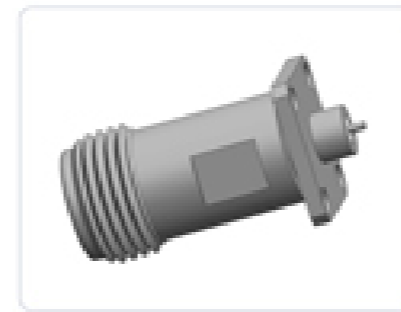
Part Number	Cable Type	Notes
N-KFD2A		



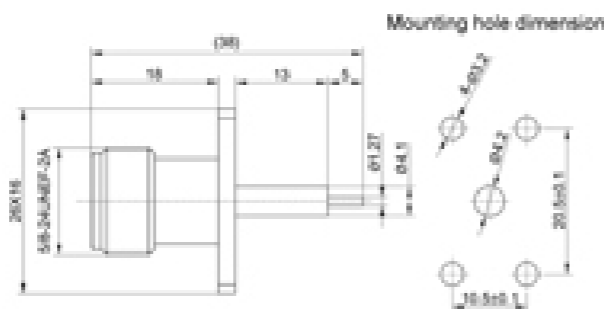
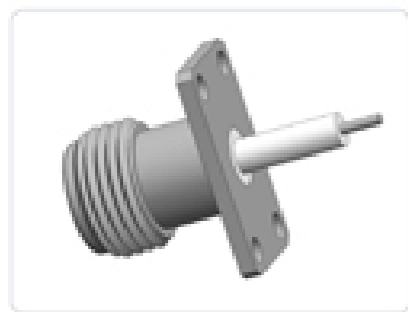
Part Number	Cable Type	Notes
N-KFD5A		



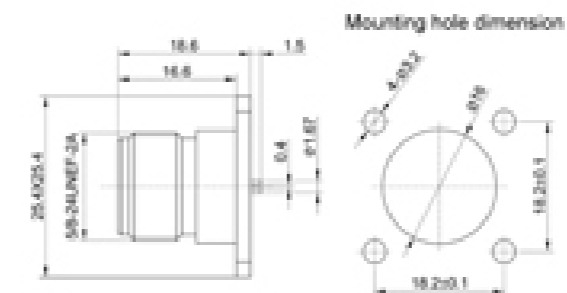
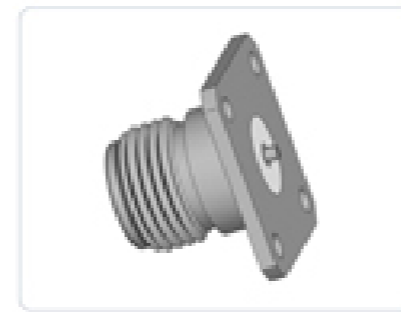
Part Number	Cable Type	Notes
N-KFD3		



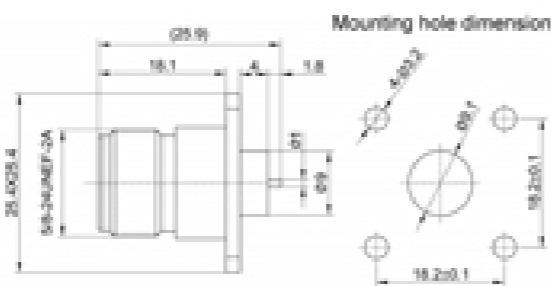
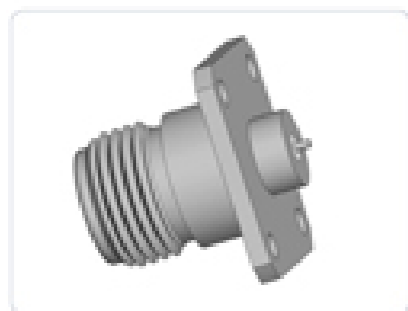
Part Number	Cable Type	Notes
N-KFD6		



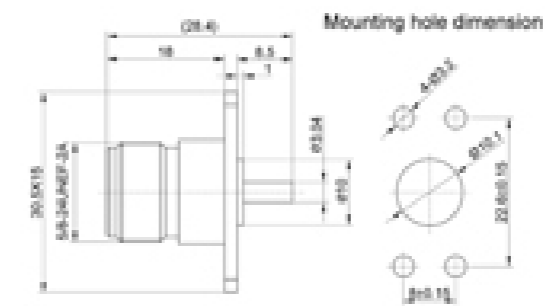
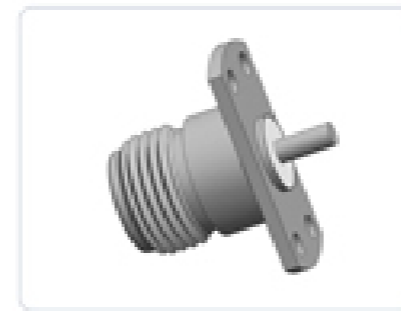
Part Number	Cable Type	Notes
N-KFD4		



Part Number	Cable Type	Notes
N-KFD7		

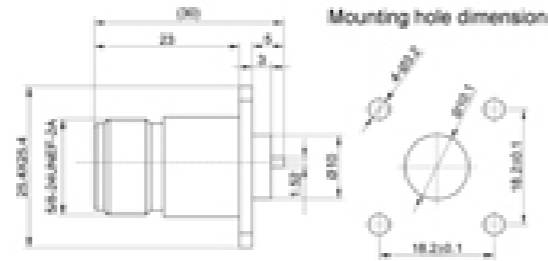
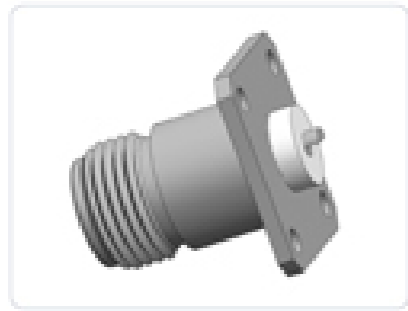


Part Number	Cable Type	Notes
N-KFD5		

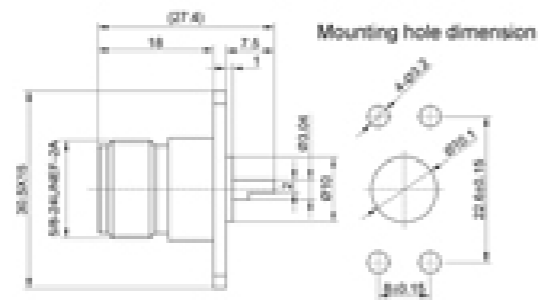
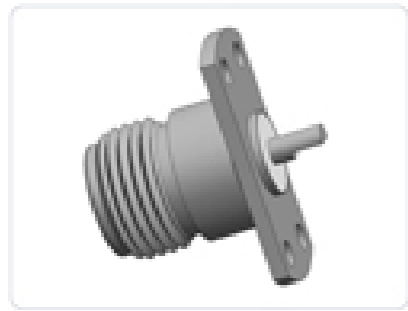


Part Number	Cable Type	Notes
N-KFD8		

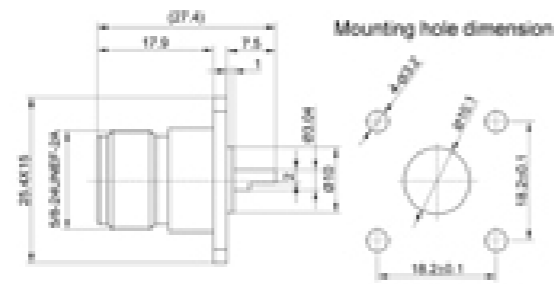
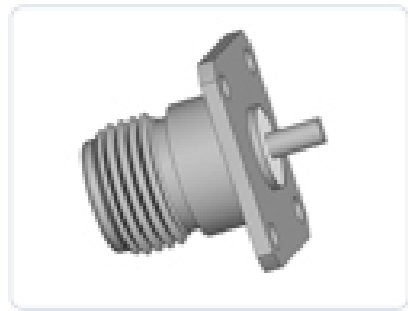
N



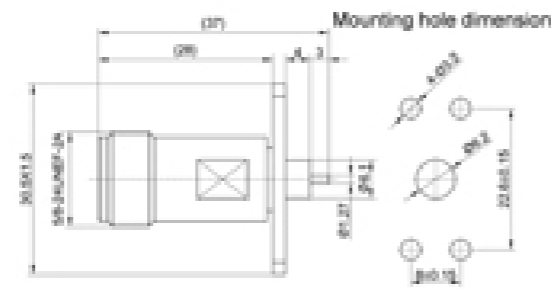
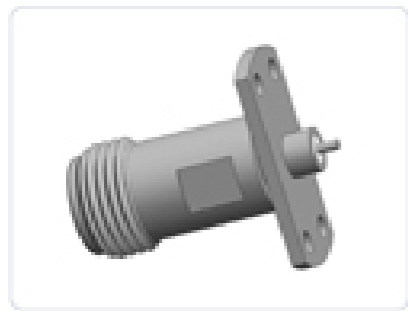
Part Number	Cable Type	Notes
N-KFD9		



Part Number	Cable Type	Notes
N-KFD10		

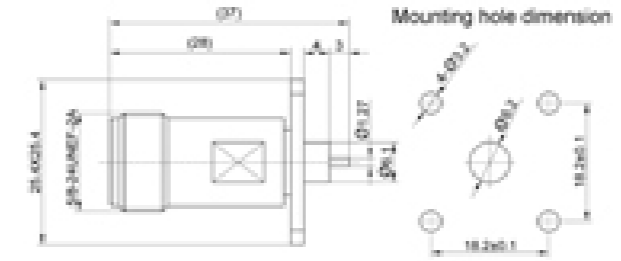
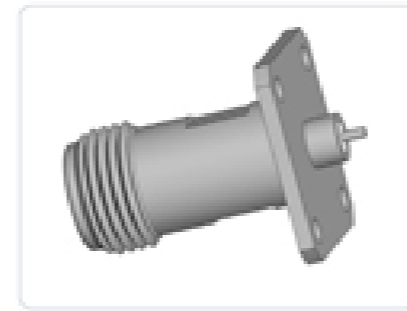


Part Number	Cable Type	Notes
N-KFD11		

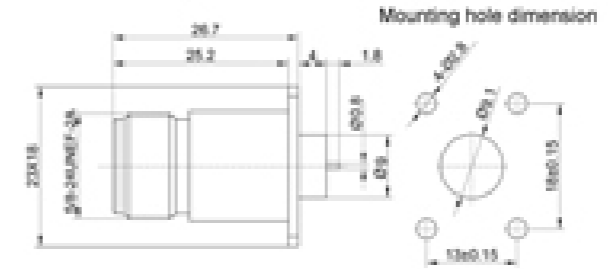
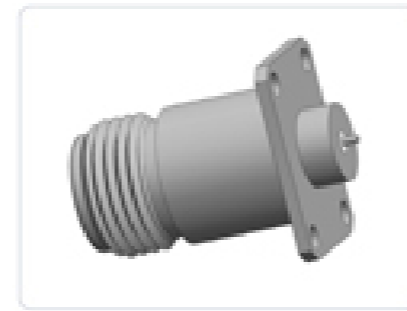


Part Number	Cable Type	Notes
N-KFD12		

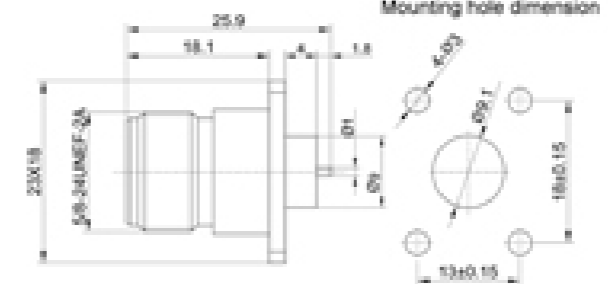
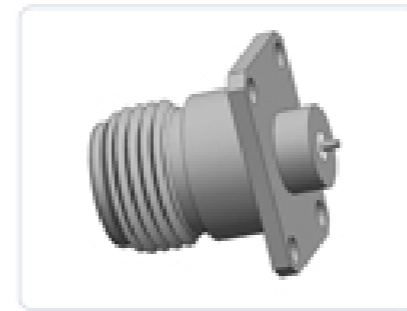
N



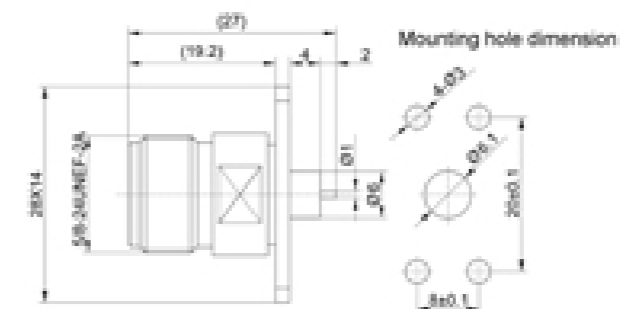
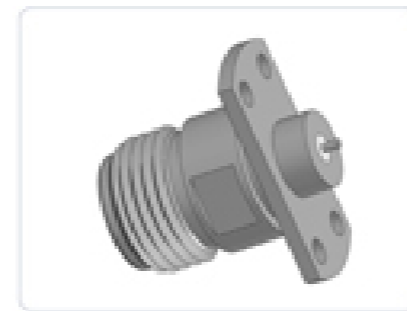
Part Number	Cable Type	Notes
N-KFD13		



Part Number	Cable Type	Notes
N-KFD14		

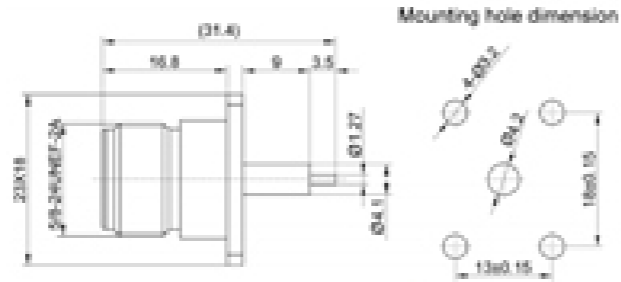
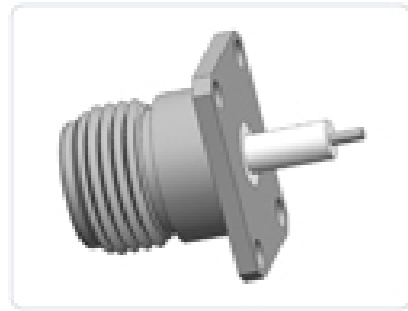


Part Number	Cable Type	Notes
N-KFD16		

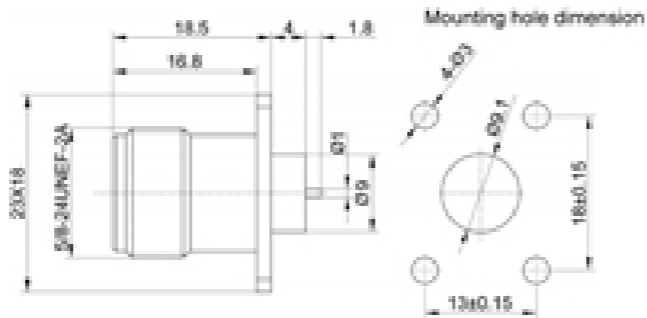
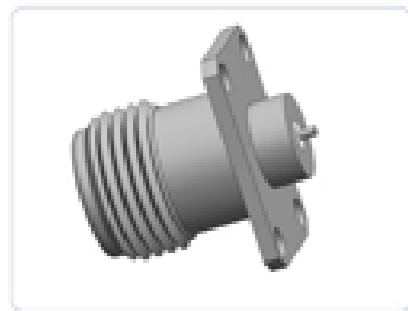


Part Number	Cable Type	Notes
N-KFD17		

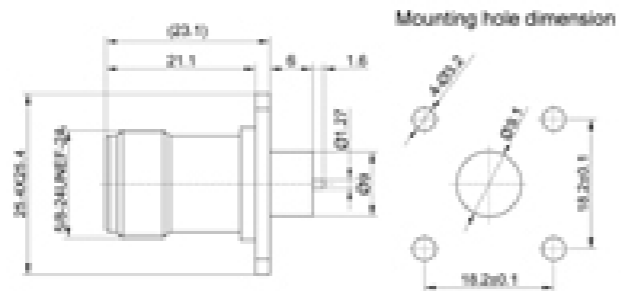
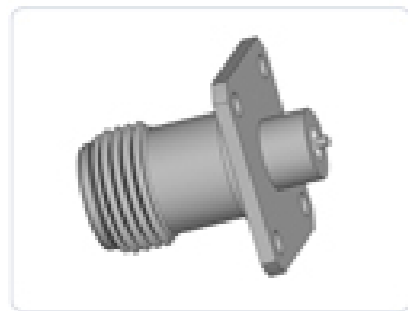
N



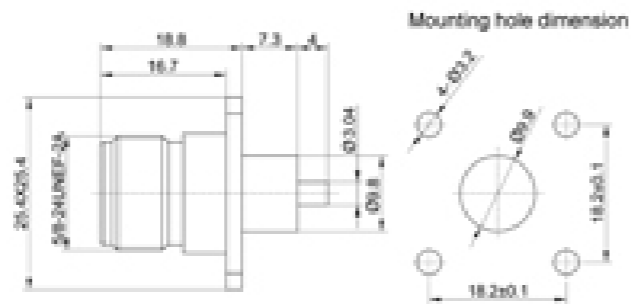
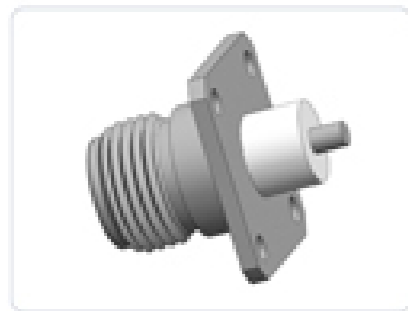
Part Number	Cable Type	Notes
N-KFD18		



Part Number	Cable Type	Notes
N-KFD19		

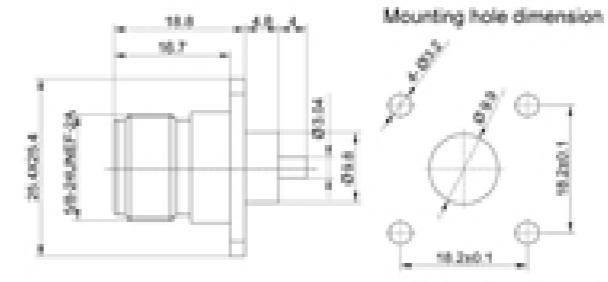
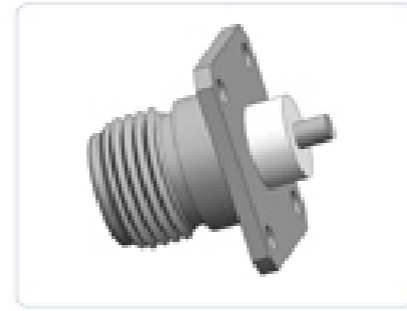


Part Number	Cable Type	Notes
N-KFD20		

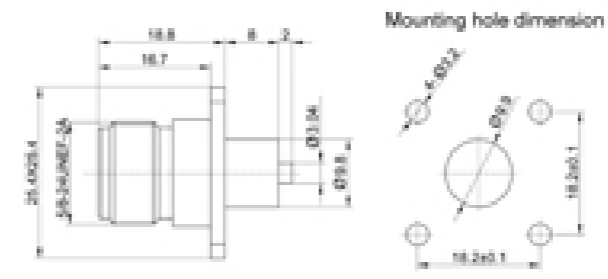
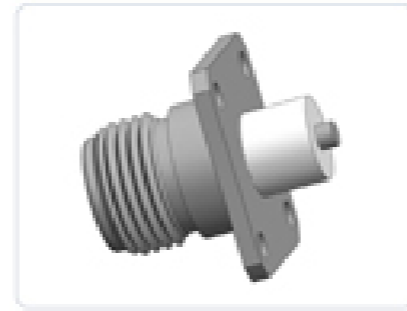


Part Number	Cable Type	Notes
N-KFD21		

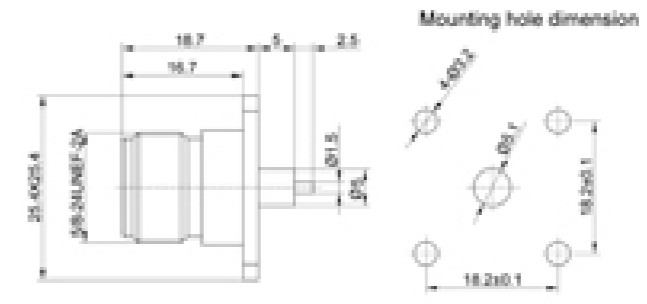
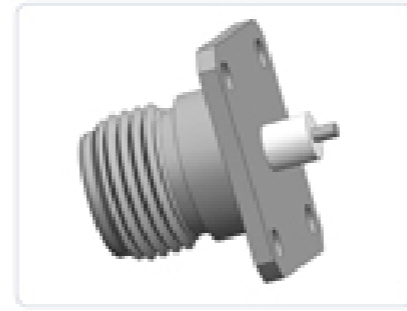
N



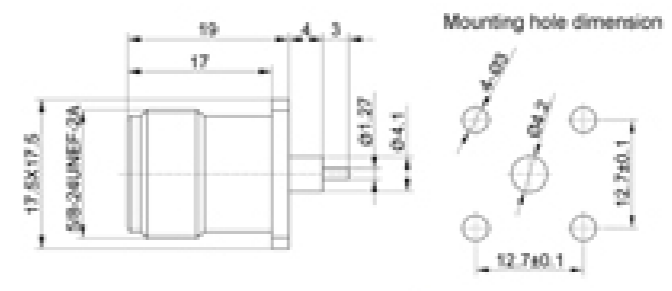
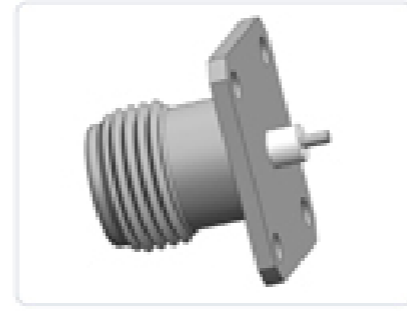
Part Number	Cable Type	Notes
N-KFD22		



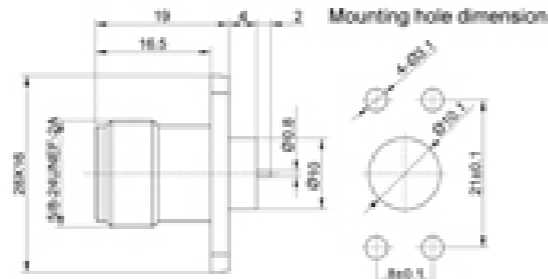
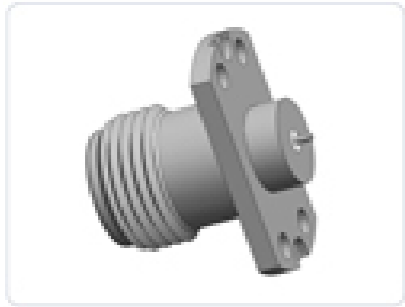
Part Number	Cable Type	Notes
N-KFD26		



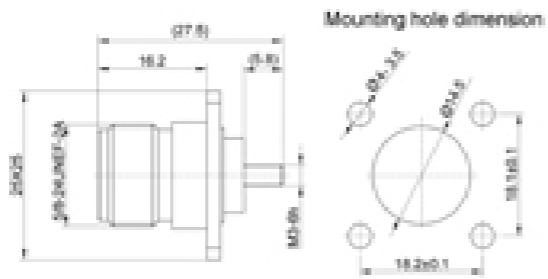
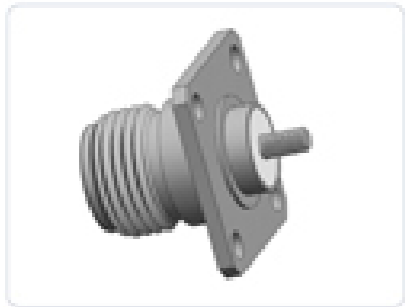
Part Number	Cable Type	Notes
N-KFD28		



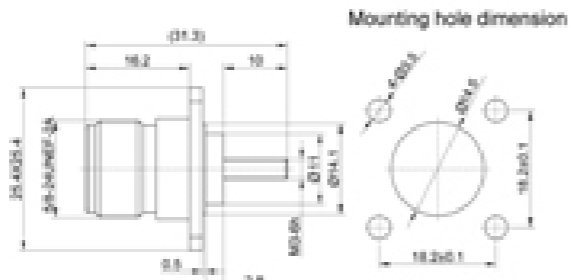
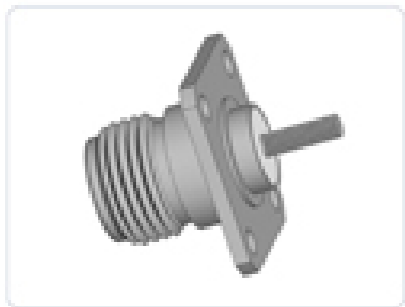
Part Number	Cable Type	Notes
N-KFD29		



Part Number	Cable Type	Notes
N-KFD33C		



Part Number	Cable Type	Notes
N-50KF-A		



Part Number	Cable Type	Notes
N-50KF-C		