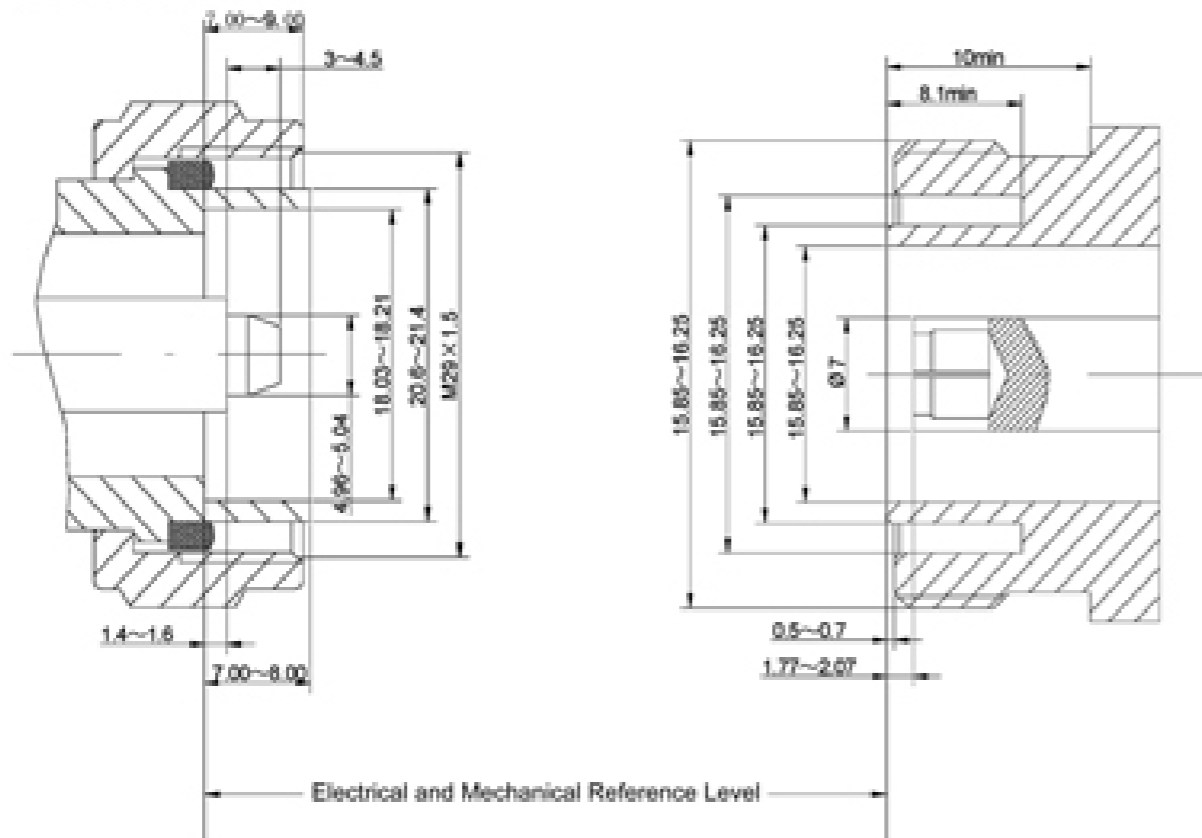


DIN (7/16) RF connector

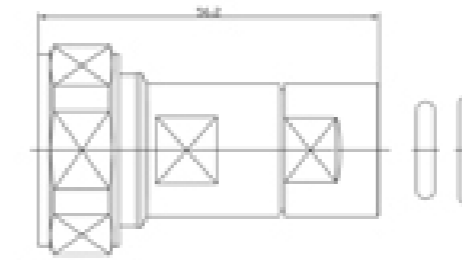
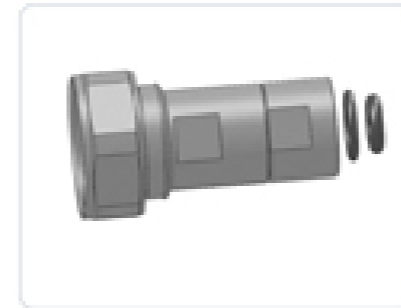
DIN (7/16) RF connector is a type of threaded connector with 16mm inner diameter and 50 Ω impedance. Its frequency can up to 7.5GHz. It has the characteristics of good shock resistance, large power, and low VSWR, attenuation and PIM. It is widely used in wireless base station and broadcast communication field.

Interface Dimension

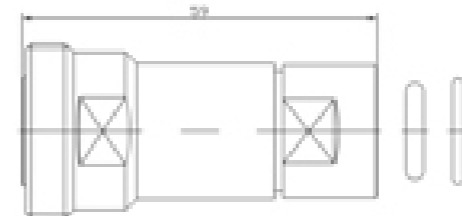
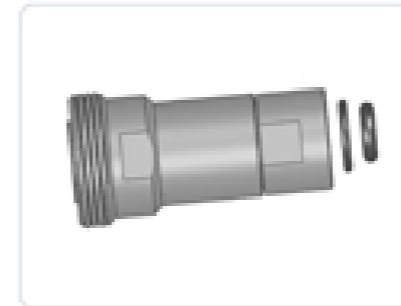


Primary Technical Characteristics

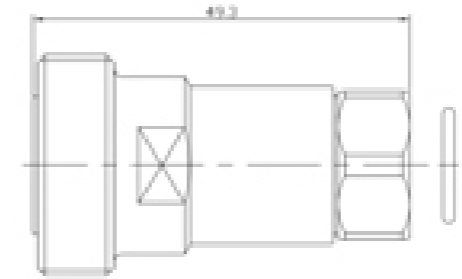
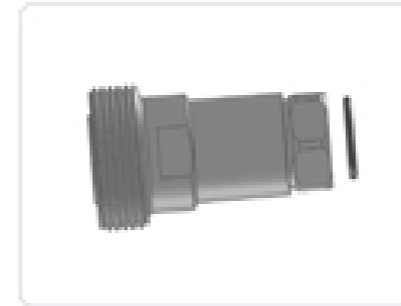
Electrical Performance		Material and Mechanical Performance			
VSWR	< 1.05+0.015f	Center Contact	Pin	Brass	White Bronze Plating
PIM	< -155dBc		Socket	Bronze	Silver Plating
Contact Resistance	< 0.4m Ω (Center Contact)	Body	Brass	White Bronze Plating	
	< 0.25m Ω (Outer Contact)	Insulator	PTFE		
Insulation Resistance	> 10000M Ω	Seal Ring	Silicon Rubber		
Dielectric Withstanding Voltage	> 4000V	Temperature Range	-45°C ~ +125°C		
		Durability	> 500times		



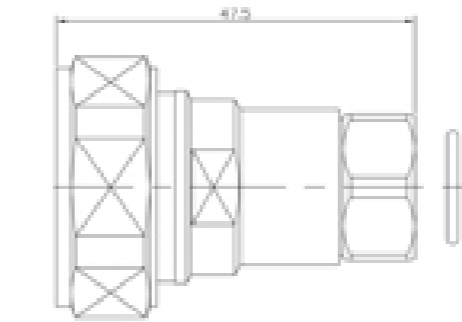
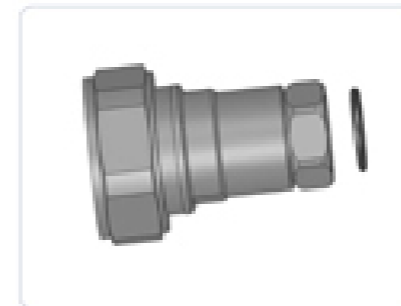
Part Number	Cable Type	Notes
DIN-051	1/2" L	



Part Number	Cable Type	Notes
DIN-142	1/2" L	

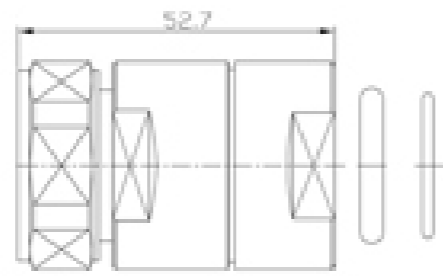
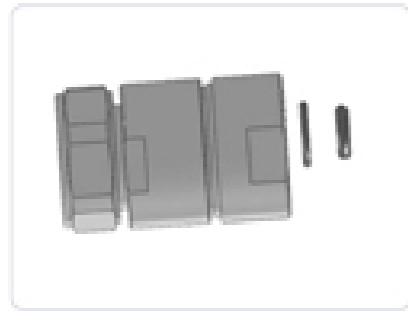


Part Number	Cable Type	Notes
DIN-032	1/2" S	

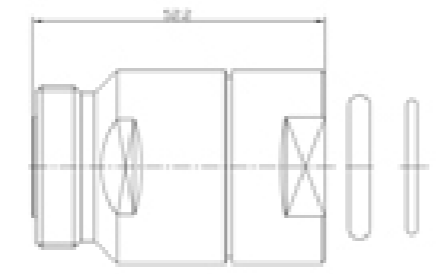
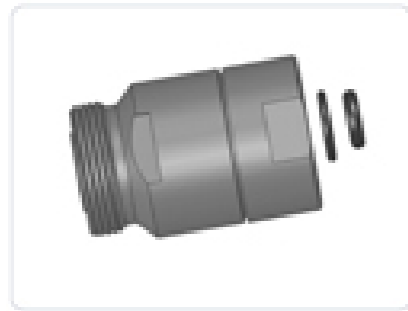


Part Number	Cable Type	Notes
DIN-041	1/2" S	

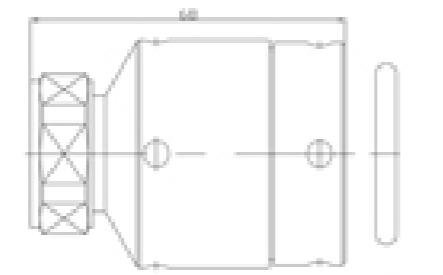
DIN



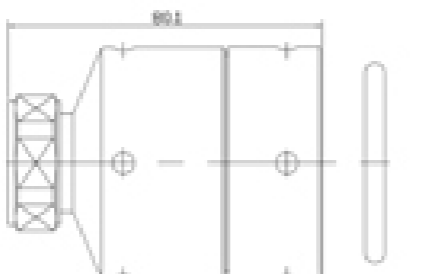
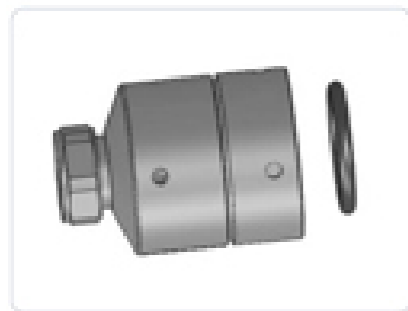
Part Number	Cable Type	Notes
DIN-027	7/8" L	



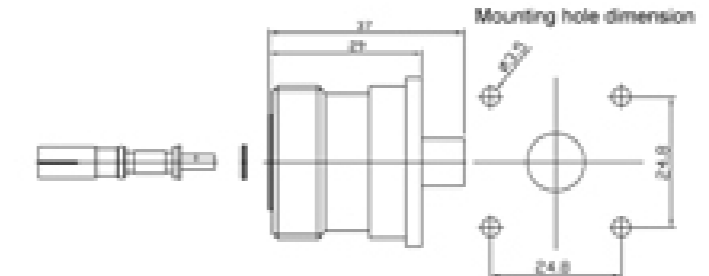
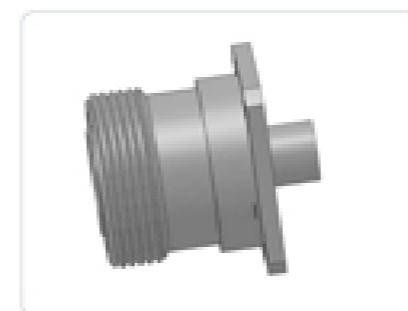
Part Number	Cable Type	Notes
DIN-028	7/8" L	



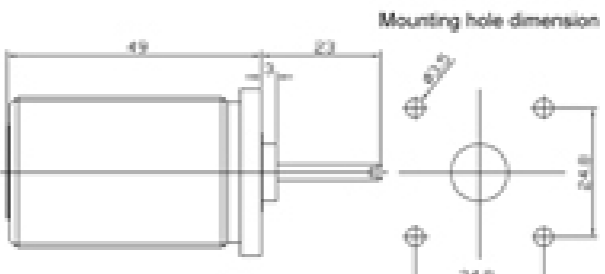
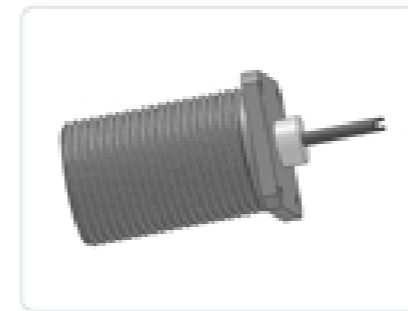
Part Number	Cable Type	Notes
DIN-087	1 1/4" L	



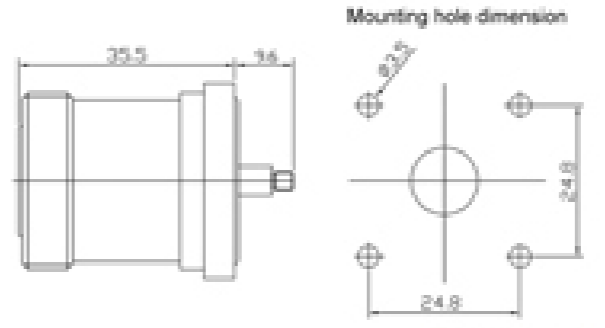
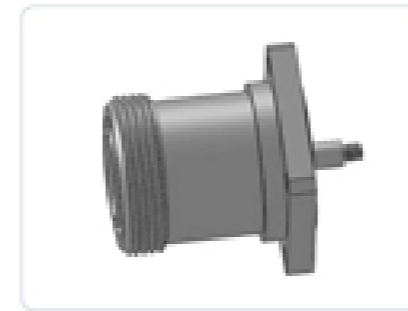
Part Number	Cable Type	Notes
DIN-097	1 5/8" L	



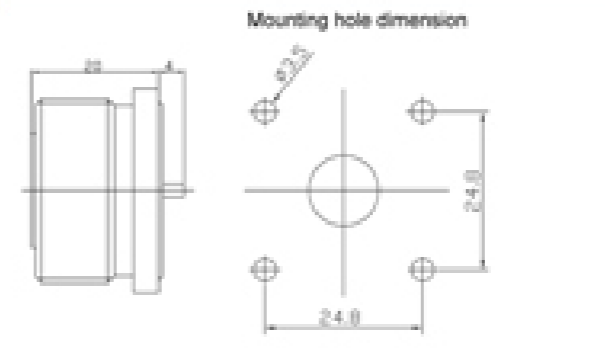
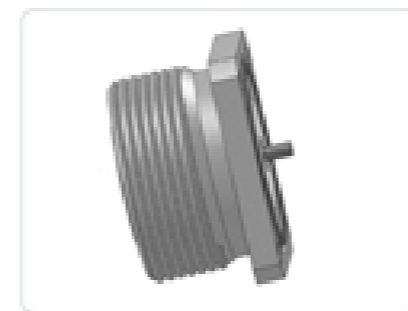
Part Number	Cable Type	Notes
DIN-474		



Part Number	Cable Type	Notes
DIN-496		



Part Number	Cable Type	Notes
DIN-518		



Part Number	Cable Type	Notes
DIN-542		