

TERMINATION LOAD

STC-LOAD-10W-4G

Frequency: DC 3000 MHz | Input Power : 10W | Connector: (4.3-10) M | Environment : IP67 (Indoor or Outdoor)

Terminations or loads, are matched to 50 ohms characteristic impedance. They are designed to absorb all the incident power with very little reflection, effectively terminating the line or port in its characteristic impedance.

KEY FEATURES

- Low VSWR
- High reliability
- Compact Size
- Light weight therefore easy to install

Specifications

Frequency Range	DC 3800 MHz
Return Loss	≥21 Db
Impedance	50 Ω
Connector	4.3-10 // Male
Input Power	10 W

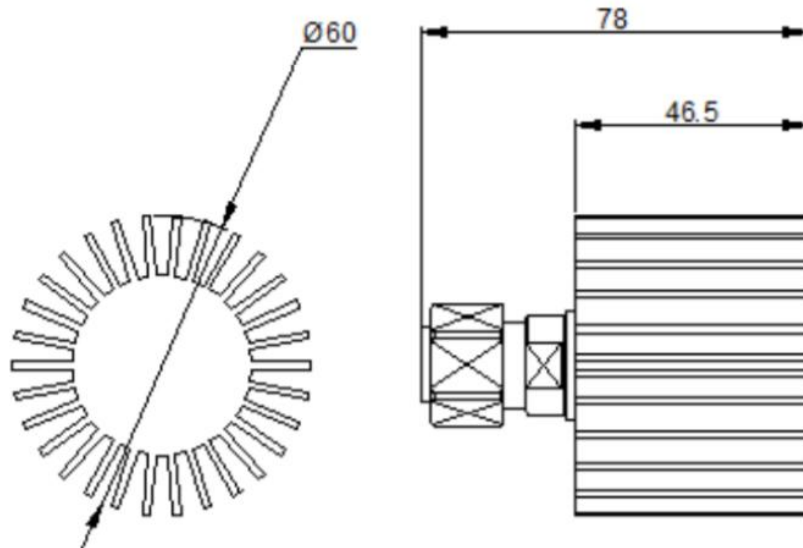
Mechanical

Temperature	-45 to +65°C
Dimensions	Ø 60 x 78 mm
Weight	0.3 kg
Operational Humidity	5%~95%
Ingress Protection	IP67 (Indoor and Outdoor)

Warranty / Mounting

1 year / Wall mounting

Product Outline



Disclaimer: All images are for reference purposes only

Revised | Sept 2020 (V1)

Important Notice: Information contained in this data sheet is believed to be reliable at the date of issue, however accuracy and completeness is not guaranteed. Satelcom holds the right to change the product specifications without notice.



SATELCOM TELEKOMÜNİKASYON
BİLGİ VE İLETİŞİM TEKNOLOJİLERİ İTHALAT İHRACAT SANAYİ AŞ.
BÜDOTEK Teknopark, Dudullu OSB Mah. Des 2.Cad. No:8/25 Zemin Kat 34776
Ümraniye / İSTANBUL/TÜRKİYE
+90 (216) 540 30 20
info@satelcom.com.tr www.satelcom.com.tr